

ETC 35 SNT - Non-Insulated Articulated



Telescopic Ford New F-450 Gas 4x2

FORD

## ETC 35 SNT - NON-INSULATED ARTICULATED TELESCOPIC

NEW F-450 GAS 4X2

NEW

AVAILABLE



### OFFER INFORMATION

Location details

341 NW 122nd Street, Oklahoma City, OK, 73114 -

United States 

Dealer Name

PALFINGER

Availability

Available

Product type

New

Contact person

Mike Eastman

Dealer E-mail

m.eastman@palfinger.com

Dealer phone

+1-405-833-1153

# ETC 35 SNT - Non-Insulated Articulated Telescopic Ford New F-450 Gas 4x2

---



## AERIAL UNIT DETAILS

- 40 ft Working Height
- 26' ft Side Reach
- Articulated Telescopic
- Elec/Hydraulics Controls
- 24 x 30 Platform

## BODY DETAILS

- PALFINGER Steel Service Bed
- 108 in Length + 36 in Tail shelf
- 60 Galvanneal Steel material
- Stainless Latches
- Master lock system for all doors
- LED Lighting
- Non Skid coating on walking surfaces
- CS Tail shelf Side Entry

## CHASSIS DETAILS

- New Ford F-450
- Gas Engine
- Automatic Transmission
- 4x2
- Electric Windows and Locks
- Backup Camera

# ETC 35 SNT

ARTICULATED / TELESCOPIC  
NON-INSULATED



## POWERFUL SOLUTION

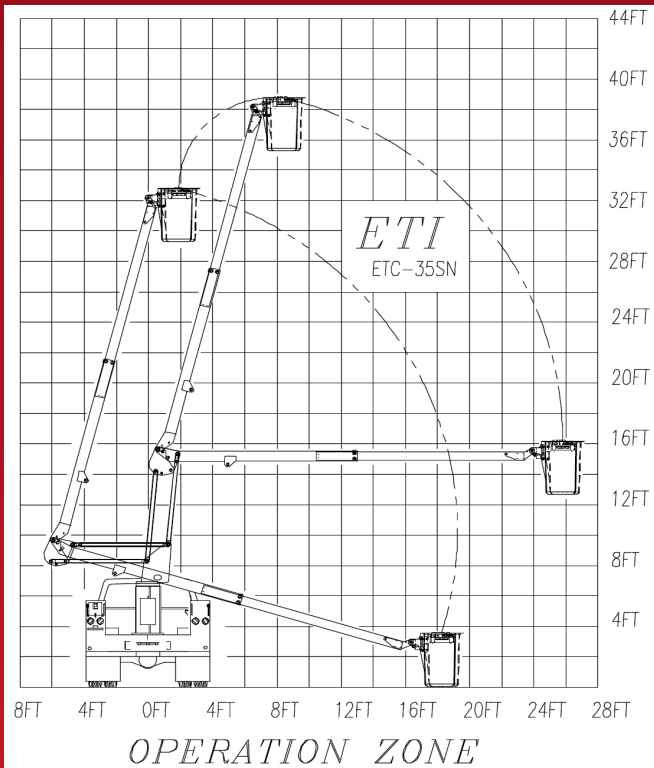
The ETC 35 SNT is a non-insulated unit with 40' of working height and 390 degrees of non-continuous rotation. This aerial is an articulated, telescoping model providing the end-user a powerful solution to meet all personnel lifting needs in the field. Bucket mounted controls, variable speed controls and hydraulic bucket leveling are standard on this unit with a multitude of available options to suit each customized need.



DEPEND ON IT.



## ETC35SNT



**EQUIPMENT TECHNOLOGY LLC  
IS A FULL SERVICE SOLUTION  
PROVIDER OF THE HIGHEST  
QUALITY DESIGN,  
MANUFACTURING, AND POST  
SALE SERVICE.**

### EQUIPMENT TECHNOLOGY LLC

341 NW 122nd  
Oklahoma City, OK 73114  
Toll-Free: 1-888-748-3841 • Fax: 1-405-755-6829  
[etiequipment.com](http://etiequipment.com)

### GENERAL SPECIFICATIONS\*

Height to bottom of bucket ..... 35 ft. - 0 in.  
Working height ..... 40 ft. - 0 in.  
Side reach, End mount ..... 26 ft. - 0 in.  
Rotation ..... 390° Non-continuous  
Lower boom articulation ..... 0 to 95 degrees  
Upper boom travel ..... -17 to 75 degrees  
Stow height ..... 9 ft. - 9 in.  
Rated bucket capacity ..... 350 lbs.

### MINIMUM VEHICLE SPECIFICATIONS

- GVWR ..... 16,000 lbs.
- C.A. .... 60 in

### STANDARD FEATURES

- Bucket mounted controls
- Variable speed controls
- Hydraulic bucket leveling
- Emergency upper boom controlled descent
- Engine start/stop at bucket

### OPTIONS

- Emergency hydraulic power (12VDC)
- Air line to bucket
- Bridgeframe Hi-Cube body
- 90 degree bucket rotator
- 400 lbs bucket capacity
- Various DC power options
- Single handle control



Specifications are subject to change without notice  
Note (\*): All specifications are based on 40" frame height